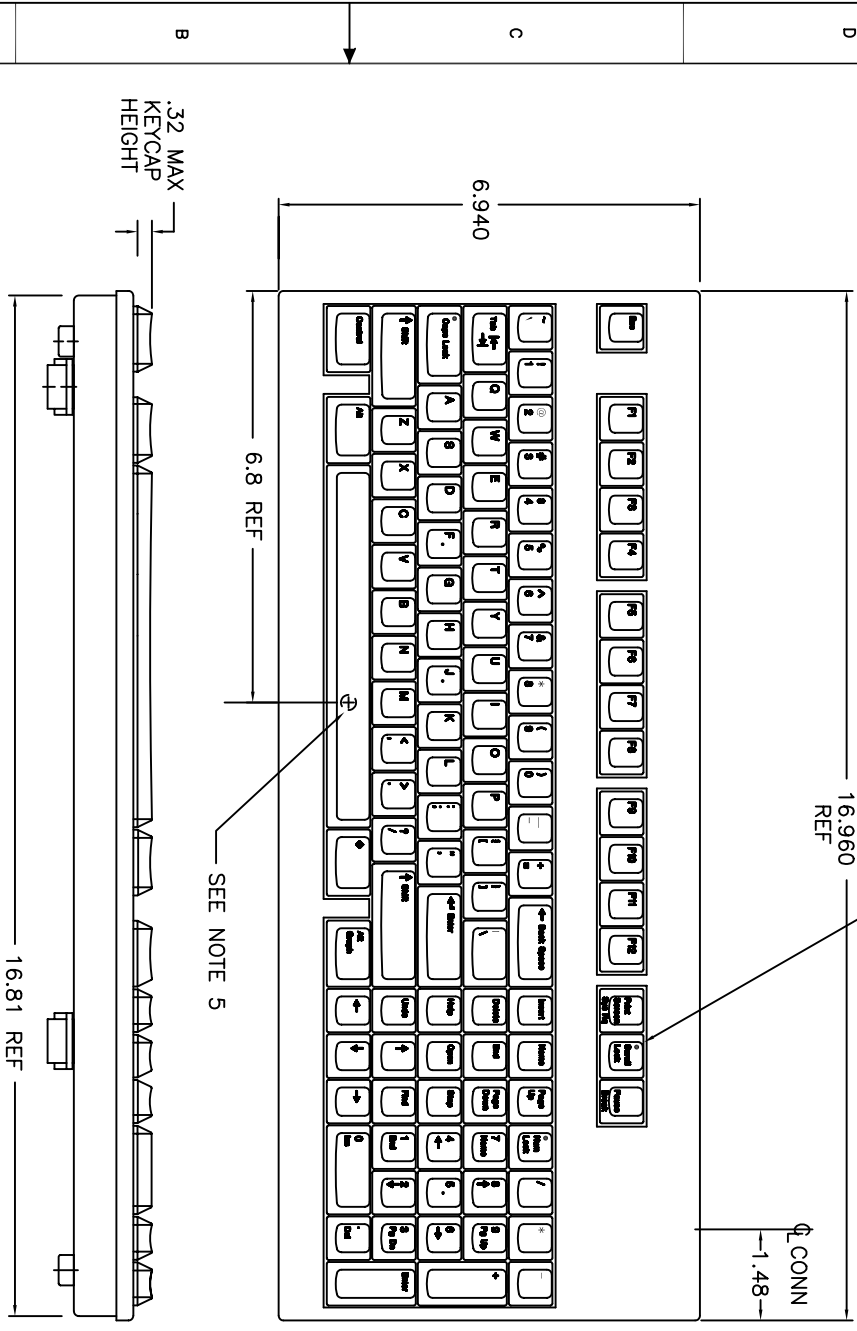


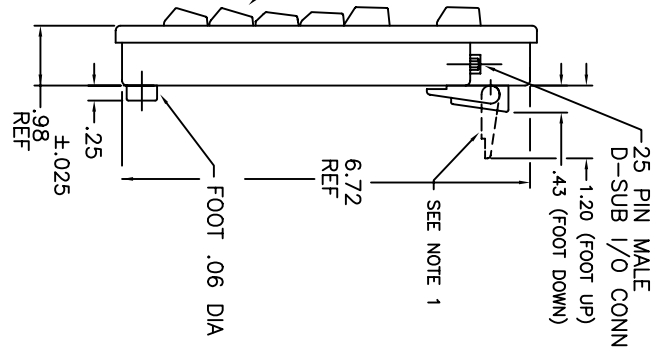
ZONE	LTR	ECO	DATE	APPROVED
-	1		6-27-02	E.F.

LED INDICATORS
(3 PLCS) ARE
LOCATED ON
APPROPRIATE KEYS



- NOTES:
- FRONT AND REAR FEET NOT INCLUDED.
 - INTERFACE SUN TYPE 6 USB.
 - SEE WEBSITE MODEL 100 SERIES FOR MORE INFORMATION.
 - BACKLIGHTING NOT INCLUDED.
 - KEYBOARD, CAVITY DRAIN LOCATION.

SCULPTURED
ERGONOMIC
KEYCAP ANGLES



THESE DIMENSIONS AND SPECIFICATIONS ARE THE PROPERTY OF CORTON, INC. AND SHALL REMAIN THE PROPERTY OF CORTON, INC. IN THE EVENT OF ANY REPRODUCTION OR SALE OF THIS INFORMATION TO ANY OTHER PARTY WITHOUT THE WRITTEN CONSENT OF CORTON, INC. AND SHALL BE IN STRICT ACCORDANCE WITH THE TERMS OF SUCH CONSENT.

CONTRACT NO.	DATE	Corton, Inc.	ONE ARDEN DRIVE CORTON, MA 01501 Tel: 978-975-3445 Fax: 978-975-0337 Website: www.cortoninc.com
DESIGNER R.F. BELANGER	6-27-02	KEYBOARD MODEL 537 (TABLE TOP) P/N 537-0030	
CHECK	6-27-02	DESIGN NO.	62833
DESIGNER R.F. BELANGER	6-27-02	REV. NO.	EMKKTG096
DESIGN ACTIVITY		SCALE	1 OF 1
CUSTOMER		RELEASE DATE	